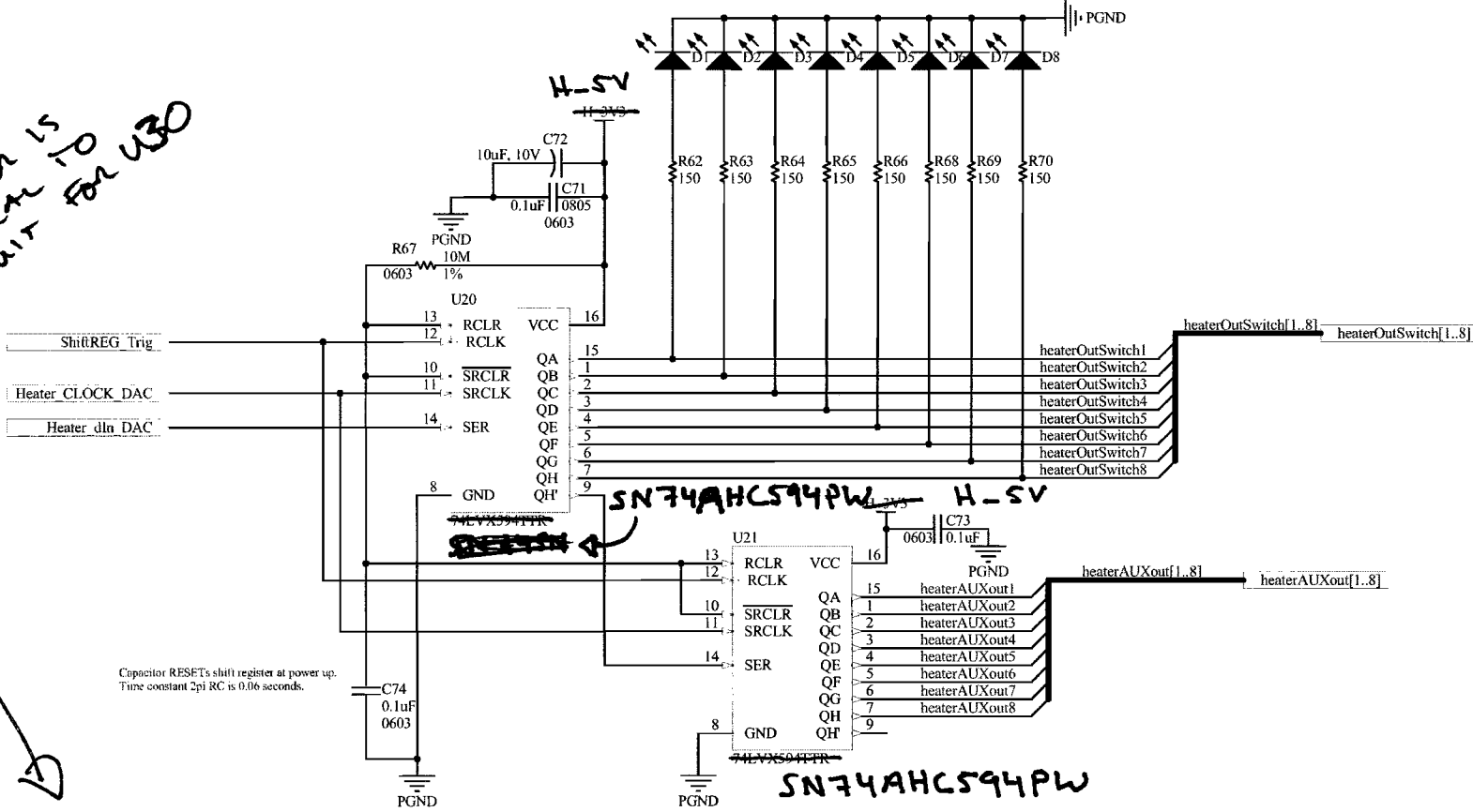
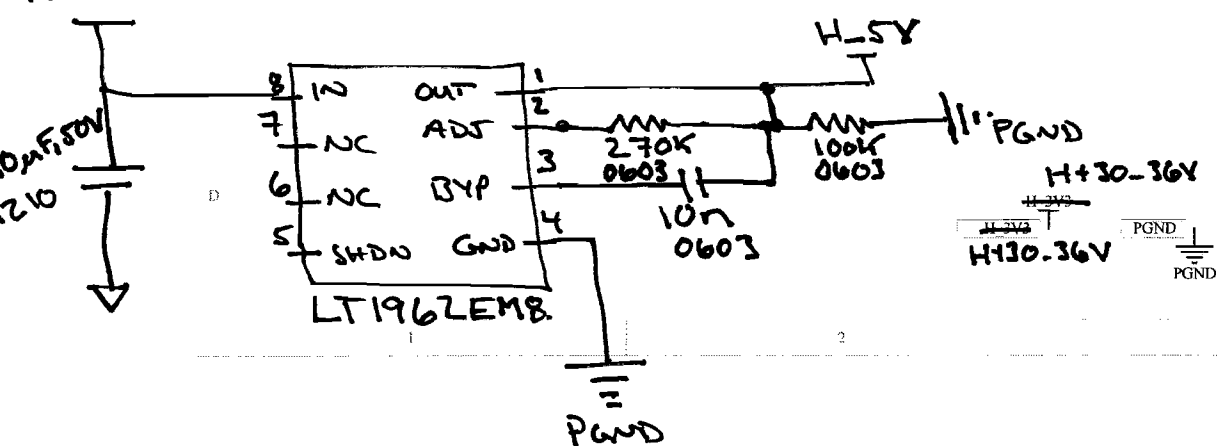


THIS NEW REGULATOR IS IDENTICAL TO CIRCUIT FOR U30



H+30-36V



Title		
the Heater Channels' Control		
Size	Number	Revision
A		1.2
Date:	3/27/2009	
File:	C:\Documents and Settings\...HeaterShReg...By:	